



Metal Shell Lampholders

Socket Interiors
Electrolier Medium Base Lampholders

Interiors for Medium Base Metal Shell Lampholders

FEATURES

- Molded of heat and impact-resistant urea.

Interiors for Medium Base Metal Shell Lampholders

Rating		Fits Catalog No.	Switch	Finish	Catalog No.
W	V				
250	250	659, 960, 961	Pull Chain	Aluminum Brass Dipped	962
250	250	930	Key	Aluminum Brass Dipped	932



962

Electrolier Medium Base Metal Shell Lampholders

FEATURES

- Caps threaded 0.125" (3.18mm) - 27 I.P.S. fit standard lamp stems.
- Pendant caps accommodate 0.375" (9.53mm)-diameter cords.
- Set screw prevents rotation of socket.
- Two Circuit (3-way) sockets operate dual filament lamps on sequence of low, medium, high, off.

Electrolier Medium Base Metal Shell Lampholders

Rating		Description	Cap	Switch	Finish	Catalog No.
W	V					
250	250	One Circuit	0.125" (3.18mm)	Turn Knob	Aluminum Brass Dipped	917ABD
250	250	Two Circuit (3-Way)	0.125" (3.18mm)	Turn Knob	Aluminum Brass Dipped	925ABD
660	250	One Circuit	0.125" (3.18mm)	Pull Chain	Aluminum Brass Dipped	980ABD
660	250	One Circuit	0.125" (3.18mm)	Push Thru	Aluminum Brass Dipped	940ABD
660	250	Keyless	0.125" (3.18mm)	Keyless	Aluminum Brass Dipped	975ABD



940



975

INDUSTRIAL
COMMERCIAL
RESIDENTIAL

R-3
LAMP HOLDERS

TESTING & CODE COMPLIANCE

- UL Listed, file E7430, UL 496 requirements
- NOM Certified

MATERIAL CHARACTERISTICS

Temperature Rating:
-40°C to 65°C

Metal Shell Lampholders

Socket Interiors
Lampholders with Extension Cords



INDUSTRIAL
COMMERCIAL
RESIDENTIAL

R-4
LAMP HOLDERS

TESTING & CODE COMPLIANCE

- UL Listed, file E7430, UL 496 requirements
- CSA Certified, file 1739 (6231-07), Meet CSA requirements, C22.2 no. 43
- NOM Certified

MATERIAL CHARACTERISTICS

Temperature Rating:
-40°C to 65°C

Interiors for Electrolier Medium Base Metal Shell Lampholders

FEATURES

- Interiors are UL component recognized.
- Molded of heat and impact-resistant urea.

Interiors for Medium Base Electrolier Metal Shell Lampholders

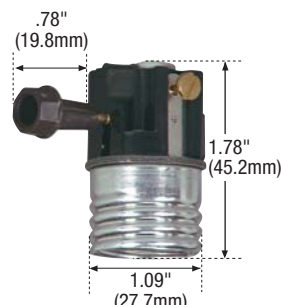
Rating		Fits Catalog No.	Switch	Catalog No.
W	V			
660	250	980	Pull Chain	2982
660	250	940, 941, 485	Push Thru	942
250	250	917	Turn Knob	3917
250	250	925	Turn Knob	3925



2982



942



3925



485-9

Electrolier Metal Shell Lampholders with Extension Cords

FEATURES

- Caps threaded 0.125" (3.18mm) - 27 I.P.S.

Electrolier Metal Shell Lampholders with Extension Cords

Rating		Description	Cord Type	Cord Length	Cord Color	Catalog No.
W	V					
660	250	Push Socket with Polarized Plug	18/2 SPT-1	9' (2.74m)	Brown	485-9*
				12' (3.66m)	Brown	485-12*

*Not UL 496 or NOM certified.



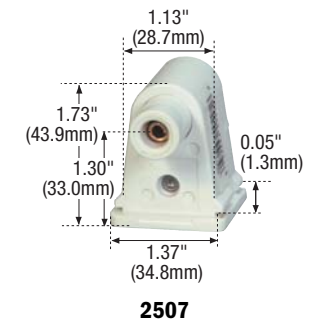
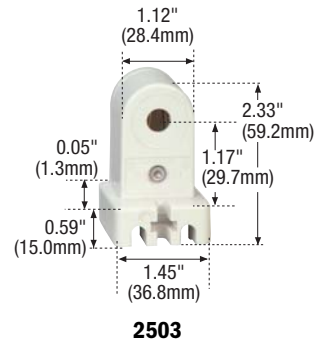
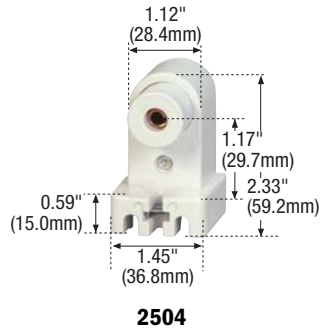
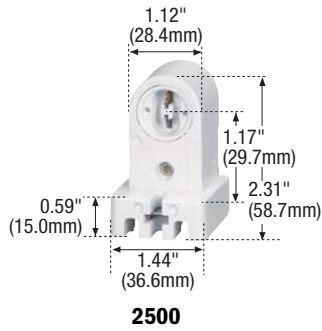
Fluorescent Lampholders

Recessed Double Contact
Slimline

Fluorescent Lampholders

FEATURES

- Molded of white thermoset plastic for neat appearance and durability.
- For replacement use in fluorescent lighting fixtures as well as enclosed outdoor signs.
- Recessed double-contact (2500, 2501) lampholders can be used for flush or surface mounting.
- Plunger lampholders feature non-sticking, spring-loaded plunger to hold lamp securely.
- Captive pal nut for easy mounting.
- Push-in wire terminals feature release slots.



Recessed Double Contact

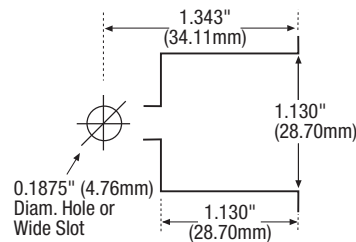
Rating		Description	Cap	Switch	Color	Catalog No.
W	V					
660	600	Plunger	Push Wire	Screw	White	2501W
660	600	Stationary	Push Wire	Screw	White	2500W

Slimline

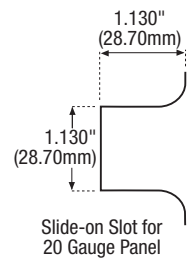
Rating		Description	Cap	Switch	Color	Catalog No.
W	V					
660	1000	Plunger	Push Wire	Screw	White	2504W*
660	600	Stationary	Push Wire	Screw	White	2503W*
660	1000	Plunger	Push Wire	Slide-On	White	2507W
660	600	Stationary	Push Wire	Slide-On	White	2506W

*Not CSA or NOM certified.

Panel Cutouts 2500, 2501, 2503, 2504



2505, 2506



INDUSTRIAL
COMMERCIAL
RESIDENTIAL

R-5
LAMP HOLDERS

TESTING & CODE COMPLIANCE

- UL Listed, UL 1570 requirements
- CSA Certified, Meet CSA requirements
- NOM Certified

MATERIAL CHARACTERISTICS

Temperature Rating:
-40°C to 65°C

Fluorescent Lampholders and Starters

Medium Bi-Pin
Fluorescent Starters



INDUSTRIAL
COMMERCIAL
RESIDENTIAL

R-6
LAMP HOLDERS

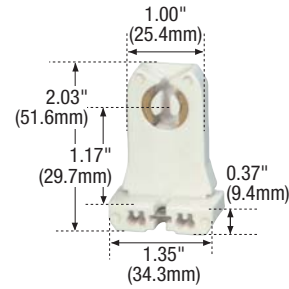
Fluorescent Lampholders

FEATURES

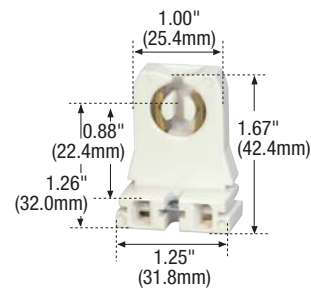
- Molded of white thermoset plastic for neat appearance and durability.
- For replacement use in fluorescent lighting fixtures.
- Use for flush or surface mounting.
- Captive pal nut for easy mounting.
- Push-in wire terminals feature release slots.

Medium Bi-Pin

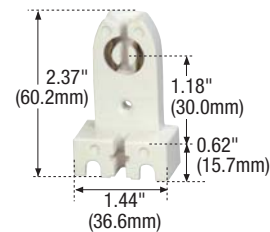
Rating		Description	Terminals	Mounting	Color	Catalog No.
W	V					
660	600	Standard	Push Wire	Slide-On & Screw	White	2509W
660	600	Short	Push Wire	Slide-On & Screw	White	2510W
660	600	Standard	Screw Terminals	Screw	White	924W



2509

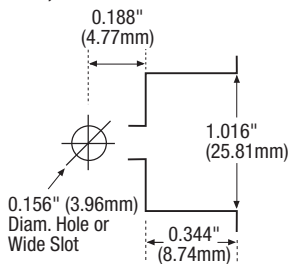


2510

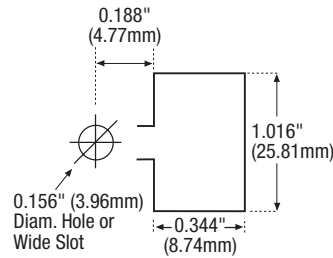


924

Panel Cutouts 2509, 2510



924



Slide on Slot for
20 Gauge Panel

Fluorescent Starters - Condenser Type

FEATURES

- All-purpose two-terminal standard starter accurately timed to combine starts with long bulb life.
- For use where lights are turned on more than five times daily. Also in devices where bulb life expectancy is two years or less.

Fluorescent Starters - Condenser Type

Rating W	Lamp Size	Catalog No.
15-20	18" (45.72cm) -15W or 24" (60.96cm)-20W	45FS2
30-40	36" (91.44cm) -30W or 48" (121.92cm)-40W	45FS4
32	12" (30.48cm)-diameter Circline	45FS12



45FS2

TESTING & CODE COMPLIANCE

- UL Listed, Meet UL requirements
- CSA Certified, Meet CSA requirements, C22.2 no. 43

MATERIAL CHARACTERISTICS

Temperature Rating:
-40°C to 65°C



INDUSTRIAL
COMMERCIAL
RESIDENTIAL

R-7 LAMP HOLDERS



Pigtail Lampholders

Medium and
Miniature Base

Pigtail Lampholders

FEATURES

- For use in electrical equipment, harnesses, light strings and related applications.
- Wire leads are 5" (127mm) of color-coded stranded wire, stripped 1" (25.4mm) for easy connection.
- Rubber sockets have an extended lip to seal against bulb.
- Metal shell interiors are aluminum, 145 nickel-plated copper.
- 124 weatherproof socket has sealed leads where they enter husk.



145



102



722



306

TESTING & CODE COMPLIANCE

- UL Listed, file E7430, UL 496 requirements, Meet CSA requirements, C22.2 no. 43
- NOM Certified

MATERIAL CHARACTERISTICS

Temperature Rating:
-40°C to 65°C

Medium Base

Rating

W	V	Description	Wire Size	Catalog No.
660	600	Rubber	#14	145*
660	600	Rubber	#16	124
660	600	Rubber with Left Hand Thread	#16	102*
660	250	Phenolic	#14	722†

*cUL Listed †CSA certified

Miniature Base

Rating

W	V	Description	Wire Size	Catalog No.
75	125	Phenolic	#20	306††

††Not NOM certified

Sign and Scoreboard Lighting

Attachon Lampholders,
Medium Base



INDUSTRIAL
COMMERCIAL
RESIDENTIAL

R-8
LAMP HOLDERS

Sign and Scoreboard Lampholders

FEATURES

- Insulation displacement terminals for stranded wire.
- Lay in wire channels, 1/4 turn twist top speeds installation.
- One piece terminals and contacts. No rivets or eyelets to loosen due to heat.
- Sockets are molded of heat-resistant phenolic.
- 732 is weatherproof – suitable for outdoor use.
- Snap-in or screw-in panel mounting options.
- Keyed spring washer prevents rotation of socket after installation.

Medium Base Attachon

Rating		Description	Wire Range	Mounting	Catalog No.
W	V				
660	250	Phenolic	#14 to #12	Hook	732
660	250	Phenolic	#14 to #12	No-Hook	732-1
660	250	Phenolic	#14 to #12	Snap-in	732-3
660	250	Phenolic	#18 to #12	Snap-in	4734-2
660	250	Phenolic	#14 to #12	Screws	734

Medium Base Attachon with Guard

Rating		Description	Wire Range	Mounting	Catalog No.
W	V				
200	250	Phenolic Socket Yellow Guard	#18 to #12	Hook	1466Y*



732



732-3



4734-2

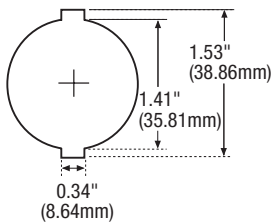


734

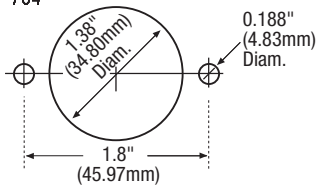
*Not CSA certified

Panel Cutouts

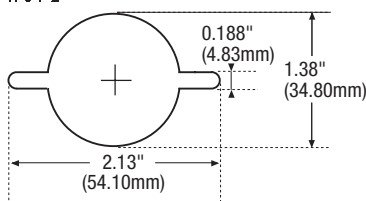
732-3



734



4734-2



TESTING & CODE COMPLIANCE

- UL Listed, file E7430, UL 496 requirements
- CSA Certified, file 1739 (6231-07), Meet CSA requirements, C22.2 no. 43
- NOM Certified

MATERIAL CHARACTERISTICS

Temperature Rating:
-40°C to 65°C



Sign and Scoreboard Lighting

Attachon Lampholders,
Intermediate and
Candelabra Base

Sign and Scoreboard Lampholders

FEATURES

- Insulation displacement terminals for stranded wire.
- Lay in wire channels, 1/4 turn twist top speeds installation.
- One piece terminals and contacts. No rivets or eyelets to loosen due to heat.
- Sockets are molded of heat-resistant phenolic.
- Snap-in or screw-in panel mounting options.
- Keyed spring washer prevents rotation of socket after installation.



731



731-2



731-3



974-2

Intermediate Base Attachon

Rating		Description	Wire Range	Mounting	Catalog No.
W	V				
75	250	Phenolic	#18 to #16	Hook	731*
75	250	Phenolic	#18 to #16	No Hook	731-1
75	250	Phenolic	#18 to #16	Spring Washer	731-2
75	250	Phenolic	#18 to #16	Snap-in	731-3*

*CSA certified, file 1739

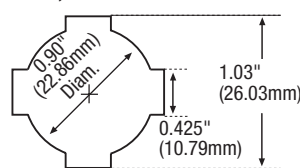
Candelabra Base Attachon

Rating		Description	Wire Range	Mounting	Catalog No.
W	V				
75	125	Phenolic	#20 to #18	No Hook	974**
75	125	Phenolic	#20 to #18	Spring Washer	974-2†

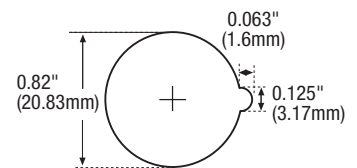
**CSA certified, file E21433

†Not CSA

Panel Cutouts 731-2, 731-3



974-2



INDUSTRIAL
COMMERCIAL
RESIDENTIAL

R-9
LAMP HOLDERS

TESTING & CODE COMPLIANCE

- UL Listed, file E20152 or 26358, UL 496 requirements, Meet CSA requirements, C22.2 no. 43
- NOM Certified

MATERIAL CHARACTERISTICS

Temperature Rating:
-40°C to 65°C

Sign, Heater, and Cleat Socket Lampholders

660W 250V
75W 125V



INDUSTRIAL
COMMERCIAL
RESIDENTIAL

R-10 LAMP HOLDERS

Sign Sockets – Porcelain Base, Thermoset Ring

FEATURES

- High-strength insulator porcelain
- For use in signs, fixtures, decorative lighting and similar applications.

Sign Sockets – Porcelain Base, Thermoset Ring

Rating		Description	Base	Switch	Color	Catalog No.
W	V					
660	250	2 piece with screw terminals	Medium	Keyless	White	610*
660	250	2 piece with 9" (228.6mm) wire leads	Medium	Keyless	White	609*

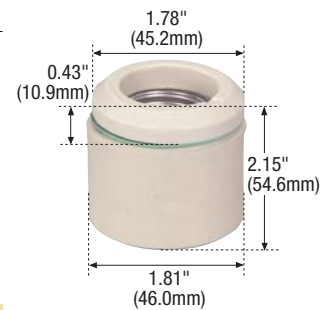
Heater Socket – Porcelain

FEATURES

- For use with Cooper Wiring Devices glocoils.

Heater Socket – Porcelain

Rating		Description	Base	Switch	Color	Catalog No.
W	V					
660	250	2 piece with screw terminals	Edison	Keyless	White	602*



602

Cleat Sockets – Thermoset

FEATURES

- For use with stage lighting and similar applications.

Cleat Sockets – Thermoset

Rating		Description	Base	Switch	Color	Catalog No.
W	V					
660	250	Front wire screw terminals	Medium	Keyless	White Brown	752W* 752B*
75	125	Front wire screw terminals	Candelabra	Keyless	White	304†
75	125	Front wire screw terminals	Miniature	Keyless	White	303†



752



304

*UL Listed, file E7430; CSA file 1739 (6231-07)
†UL file E26358; CSA file 21433 (6231-05)

TESTING & CODE COMPLIANCE

- UL Listed, file E7430 or 26358, UL 496 requirements,
- CSA Certified, Meet CSA requirements, C22.2 no. 43
- NOM Certified

MATERIAL CHARACTERISTICS

Temperature Rating:
-40°C to 65°C



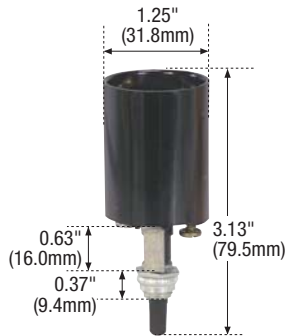
Bottom Turn Knob Lampholders

660W 250V

Bottom Turn Knob Lampholders

FEATURES

- Molded of high-temperature thermoset plastic.
- Screw terminals are backed out - ready for wiring.



927

Medium Base Lampholders - Phenolic Body

Rating W	V	Description	Nipple Length	Bracket Length	Finish - Nipple & Nuts	Catalog No.
660	250	0.375" (9.53mm) 1/8-27 Nipple	0.375" (9.53mm)	0.63" (15.88mm)	Nickel	927NP
660	250	0.375" (9.53mm) 1/8-27 Nipple with Removable Knob	0.375" (9.53mm)	0.69" (17.46mm)	Nickel	1198

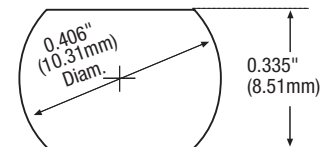
Medium Base Lampholders - Phenolic Body & Husk

Rating W	V	Description	Nipple Length	Bracket Length	Finish - Nipple & Nuts	Catalog No.
660	250	0.375" (9.53mm) 1/8-27 Nipple	0.44" (11.11mm)	0.375" (9.53mm)	Nickel	929NP
660	250	Unassembled 0.375" (9.53mm) 1/8-27 Nipple	0.44" (11.11mm)	0.375" (9.53mm)	Nickel	U929NP



1198

Panel Cutout - Bottom Turn Knob



Panel Thickness
0.125" (3.17mm) Maximum



929

INDUSTRIAL
COMMERCIAL
RESIDENTIAL

R-11 LAMP HOLDERS

TESTING & CODE COMPLIANCE

- UL Listed, file E7430, UL 496 requirements
- CSA Certified, file 1739 (6231-07), Meet CSA requirements, C22.2 no. 43
- NOM Certified

MATERIAL CHARACTERISTICS

Temperature Rating:
-40°C to 65°C

Incandescent Lampholders

660W 250V
250W 250V

Incandescent Lampholders

FEATURES

- Screw terminals are backed out - ready for wiring.
- Interiors have removable turn knobs.
- Hickeys and nipples are threaded for mounting on standard fixture, lamp stems or brackets.

Incandescent Medium Base Fixture Sockets

Rating W	V	Description	Switch	Bracket Height	Overall Height	Catalog No.
660	250	Porcelain - Screw Terminals	Keyless	0.44" (11.11mm)	1.88" (47.8mm)	969*†
660	250	Phenolic - Screw Terminals	Keyless	0.44" (11.11mm)	1.88" (47.8mm)	968*
660	250	Push Wire - No Bracket	Keyless	-	1.55" (39.4mm)	938-3††
660	250	Push Wire - with Female Hickey 1/8-27	Keyless	0.78" (19.8mm)	2.05" (52.1mm)	938††
660	250	Snap-In	Keyless	0.33" (8.4mm)	1.83" (46.5mm)	938/20††

Electrolier Medium Base Sockets 0.13" (3.18mm) - IPS Bracket - Screw Terminals

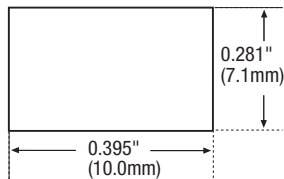
Rating W	V	Description	Switch	Bracket Height	Overall Height	Catalog No.
250	250	One Circuit	Turn Knob	0.50" (12.7mm)	2.062" (52.4mm)	918*
250	250	Two Circuit (3-Way)	Turn Knob	0.50" (12.7mm)	2.25" (57.2mm)	926

*Not NOM certified

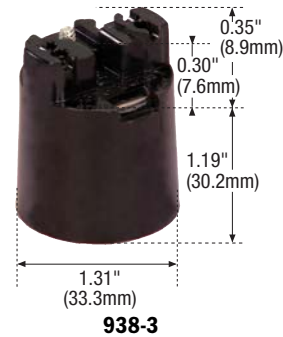
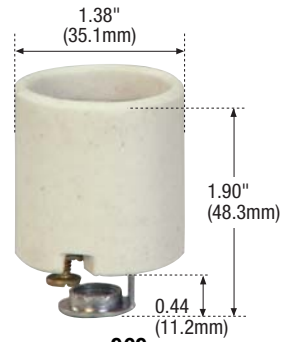
†Not UL

††CSA certified, file 21433 (6231-07), meet CSA requirements, C22.2 no. 43

Panel Cutout
938/20



Panel Thickness
0.15" - 0.040" (0.38mm - 1.02mm)



INDUSTRIAL
COMMERCIAL
RESIDENTIAL

R-12
LAMP HOLDERS

TESTING & CODE COMPLIANCE

- UL Listed, file E7430, UL 496 requirements
- NOM Certified

MATERIAL CHARACTERISTICS

Temperature Rating:
-40°C to 65°C



INDUSTRIAL
COMMERCIAL
RESIDENTIAL

R-13 LAMP HOLDERS

MATERIAL CHARACTERISTICS
Temperature Rating:
-20°C to 60°C

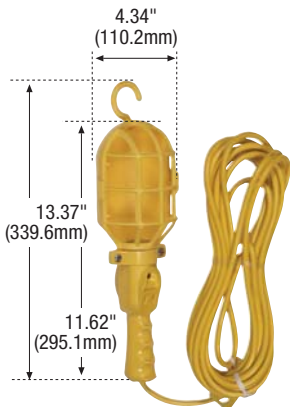
Portable Lighting

Trouble Lamps
Utility Clamp Lamp

Yellow Trouble Lamps

FEATURES

- Heavy duty thermoplastic jacketed cord for rough surface.
- Plugs and handles with built-in finger grips for easy installing.
- Plastic guard rated to 75W.



1078-25

2 Wire with Plastic Guard and 15A 125V 2P2W Outlet

Rating	Cord Type/Size	Plug Rating	NEMA	Switch	Length	Catalog No.
13A 125V/AC	SJT W-A	15A 125V/AC	5-15P	Push	25' (7.62m)	1078-25*
		18/2			50' (15.24m)	1078-50*

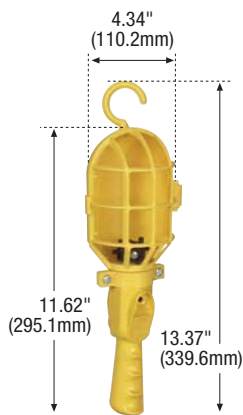
*NOM certified

Trouble Lamp Kit without Cord

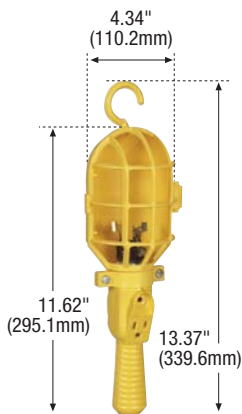
Trouble Lamp without Cord

Rating

A	V/AC	Switch	Outlet Rating	Color	Catalog No.
13	125	Push	—	Yellow	491
13	125	Push	15A 125V/AC	Yellow	498



491



498



1-15P

Trouble Lamp Accessories

Handles, Interiors
Reflector Guards
Lamp Guards

Replacement Trouble Lamp Handle

Replacement Trouble Lamp Handle with Interior

Rating					
A	V/AC	Switch	Outlet Rating	Fits	Catalog No.
13	125	Push	—	491	499
13	125	Push	15A 125V 2P3W	480, 498	496
6	125	Push	Two 15A 125V 2P2W	1078	1071

Interiors

FEATURES

- One piece side outlet contacts permanently fastened.

Push Switch and Outlets

Rating					
A	V/AC	Switch	Outlet Rating	Fits	Catalog No.
15	125	Push	Two 15A 125V 2P2W	1078, 1071	944
15	125	Push	Two 15A 125V 2P2W	1078, 1071	955*

*NOM certified

Reflector Guards

FEATURES

- Fits all trouble lamp handles.
- 1467 is high-strength, impact-resistant thermoplastic.

Reflector Guards

Bulb Rating	Description	Catalog No.
75W Max.	Yellow Vinyl	1467
100W Max.	Steel	467

Lamp Guards

FEATURES

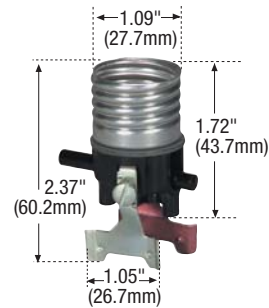
- 1.25" (31.8mm) clamp fits metal shell lampholders.
- 1.50" (38.1mm) clamp fits ceiling lampholders, pigtail lampholders, sign and scoreboard attachment lampholders.
- 1465 is high strength, impact-resistant thermoplastic.
- Easy-open guard permits relamping without removing guard.

Lamp Guards

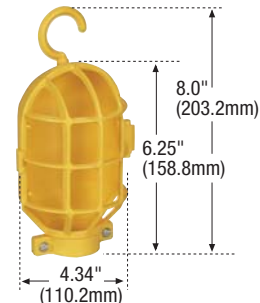
Bulb Rating	Description	Collar	Catalog No.
100W Max.	Metal	1.25" (31.8mm)	469A
100W Max.	Metal	1.50" (38.1mm)	469B
200W Max.	Yellow Plastic	Adjustable	1465Y



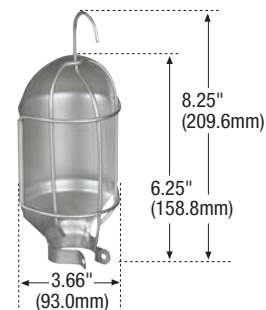
496



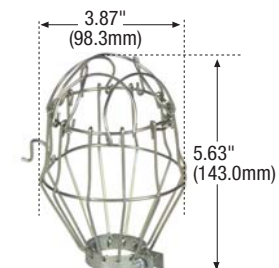
944



1467



467



469



INDUSTRIAL
COMMERCIAL
RESIDENTIAL

R-14
LAMP HOLDERS

TESTING & CODE COMPLIANCE

· UL recognized components, file E72911 for 496, 499, file E7430 for 955, UL 496 requirements
· CSA Certified, file 1739 (3426-31) for 496, 499, Meet CSA requirements, C22.2 no. 43

MATERIAL CHARACTERISTICS

Temperature Rating:
-20°C to 60°C